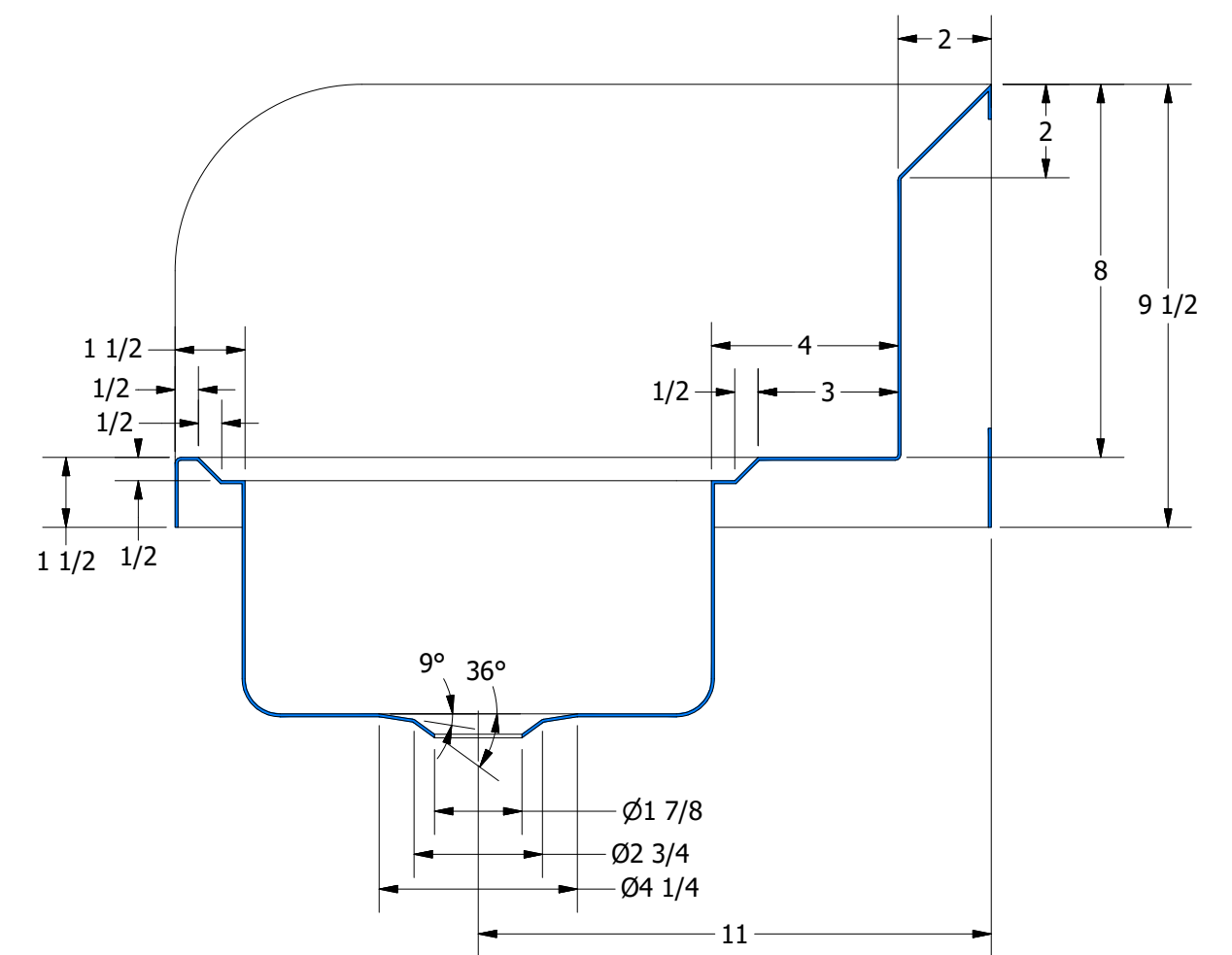
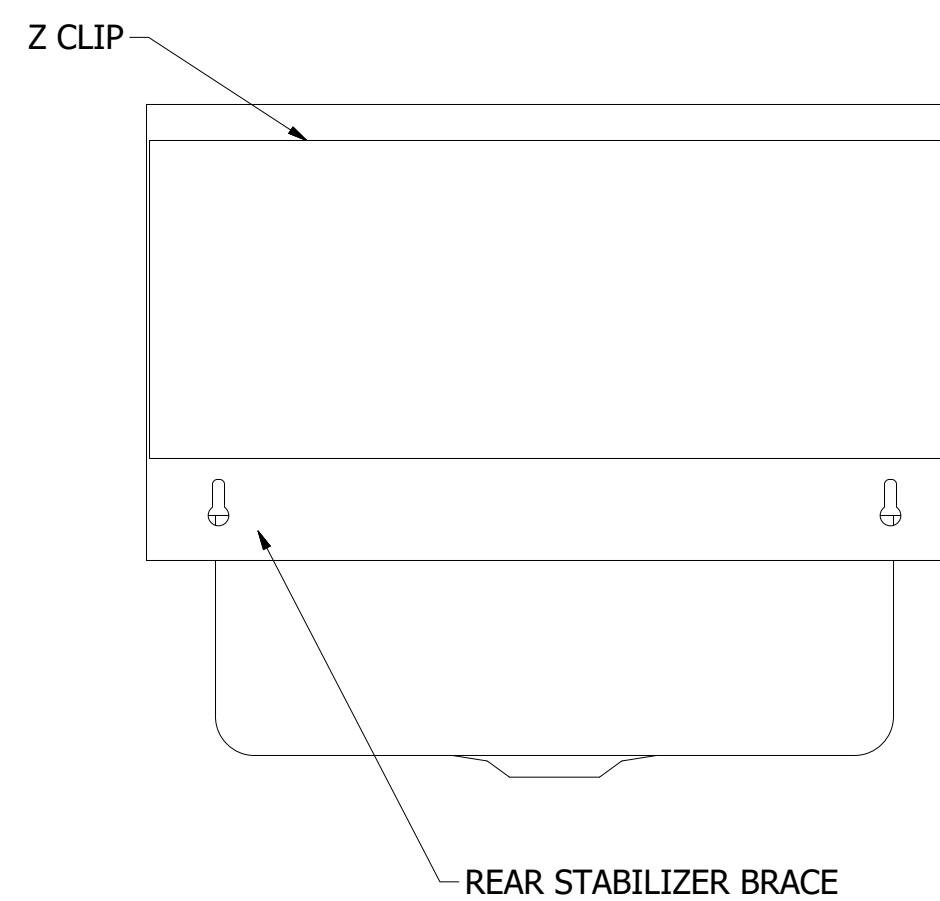


SECTION A-A
SCALE 1 / 4



SECTION B-B
SCALE 1 / 4

REV	DESCRIPTION	DATE	APPROVED
REVISION HISTORY			



PART NUMBER	BR.60.228D	TITLE	BRAZOS HANDSINK		
PRODUCT CATEGORY	HANDWASH SINK	DESCRIPTION	16GA. SINK W. DECK MOUNTED FAUCET, LEFT & RIGHT END SPLASH		
THE INFORMATION CONTAINED IN THIS DRAWING IS THE SOLE PROPERTY OF GRIFFIN PRODUCTS, INC. ANY REPRODUCTION IN PART OR AS A WHOLE WITHOUT THE WRITTEN PERMISSION FROM GRIFFIN PRODUCTS, INC. IS PROHIBITED.		MATERIAL	ALL DIMENSIONS ARE IN X INCHES		
DRW. BY / DATE	DNZ 01/24/18	APPROVED BY / DATE	REV.	SCALE	SIZE SHEET
			1 / 4	C	1 / 1