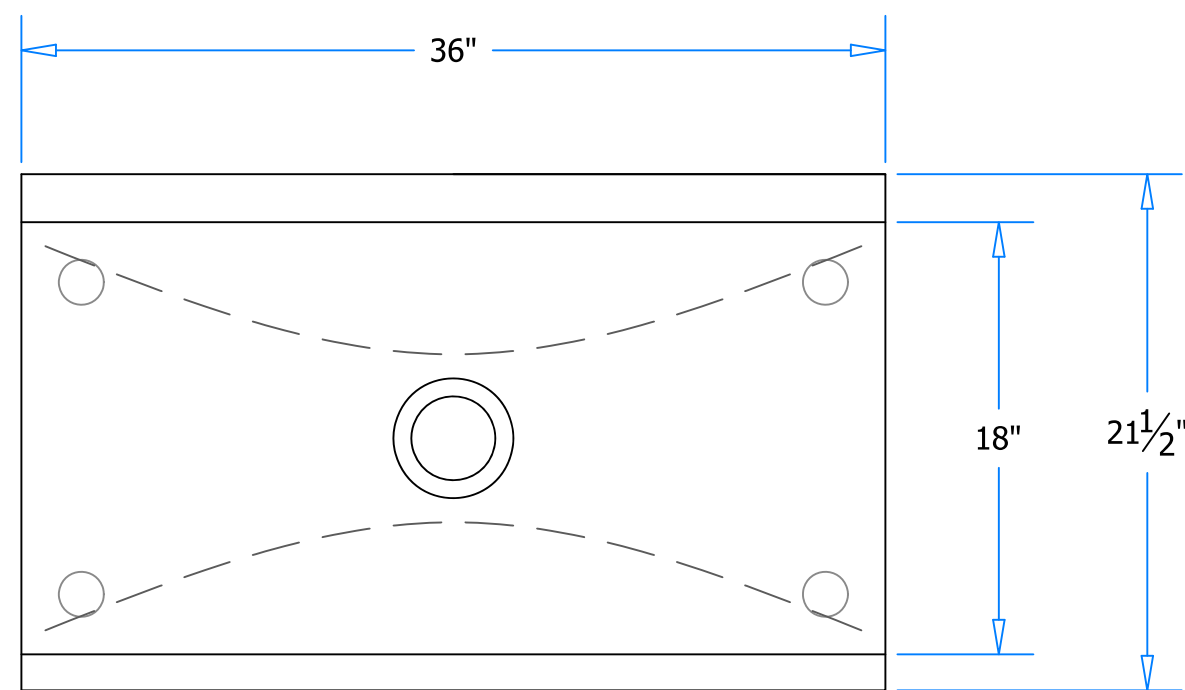
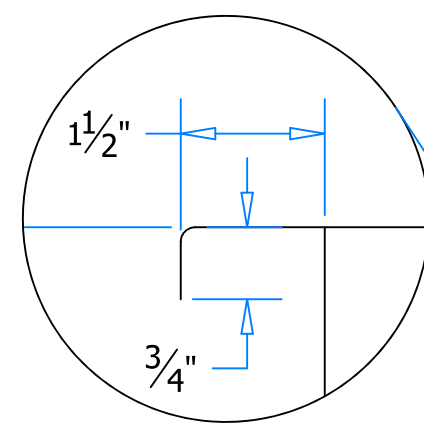


COVID-19 Emergency Response Jobsite Hand Wash & Decontamination Sink



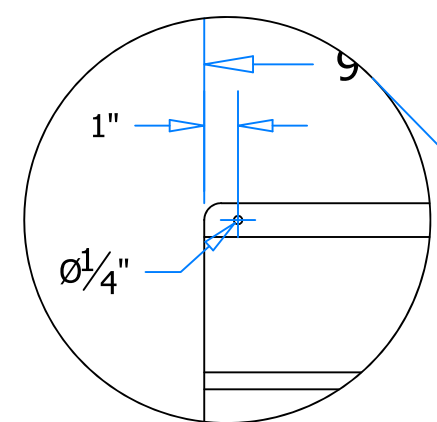
PLAN VIEW

SCALE 1-1/2"=1'0"



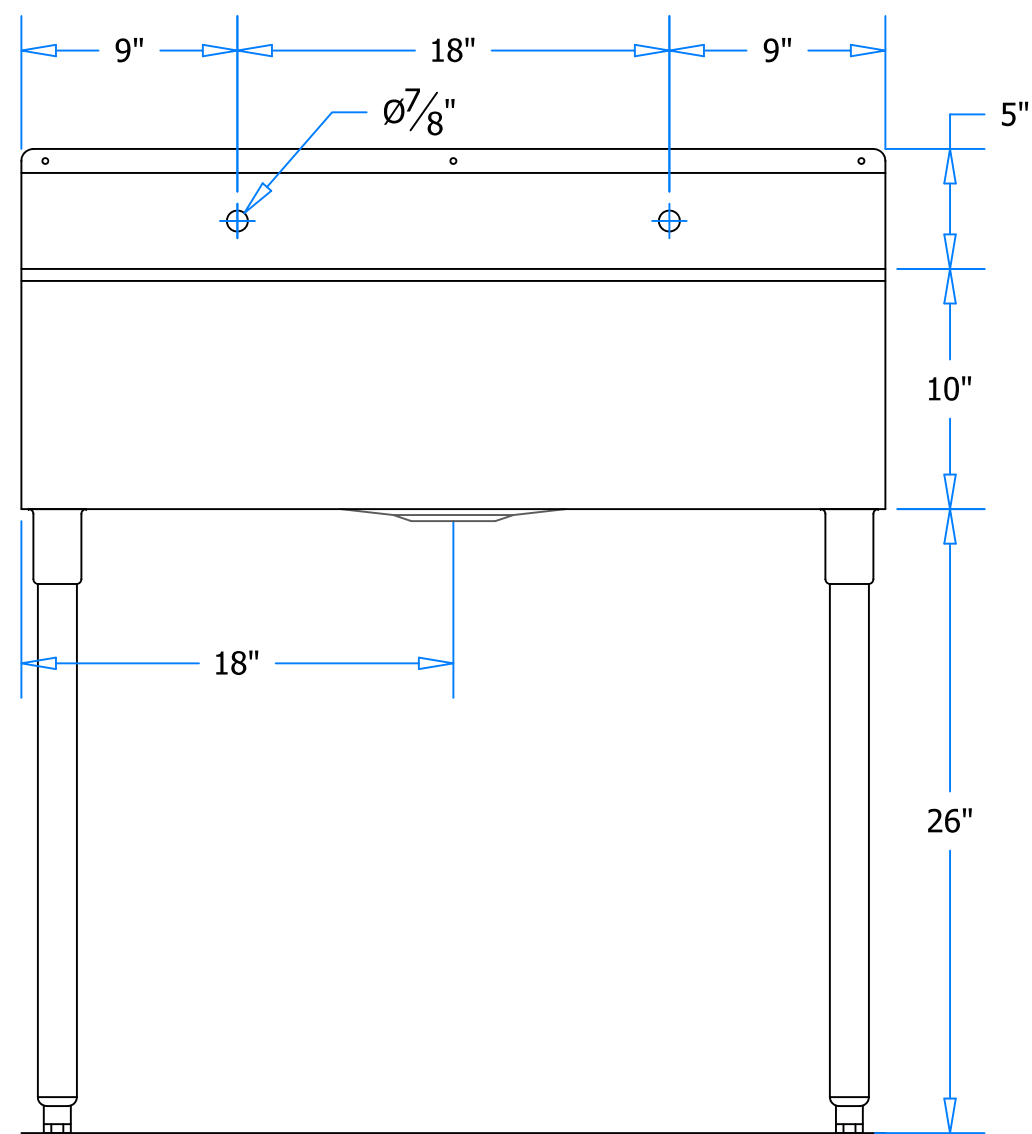
RIM DETAIL

SCALE 1"=2"



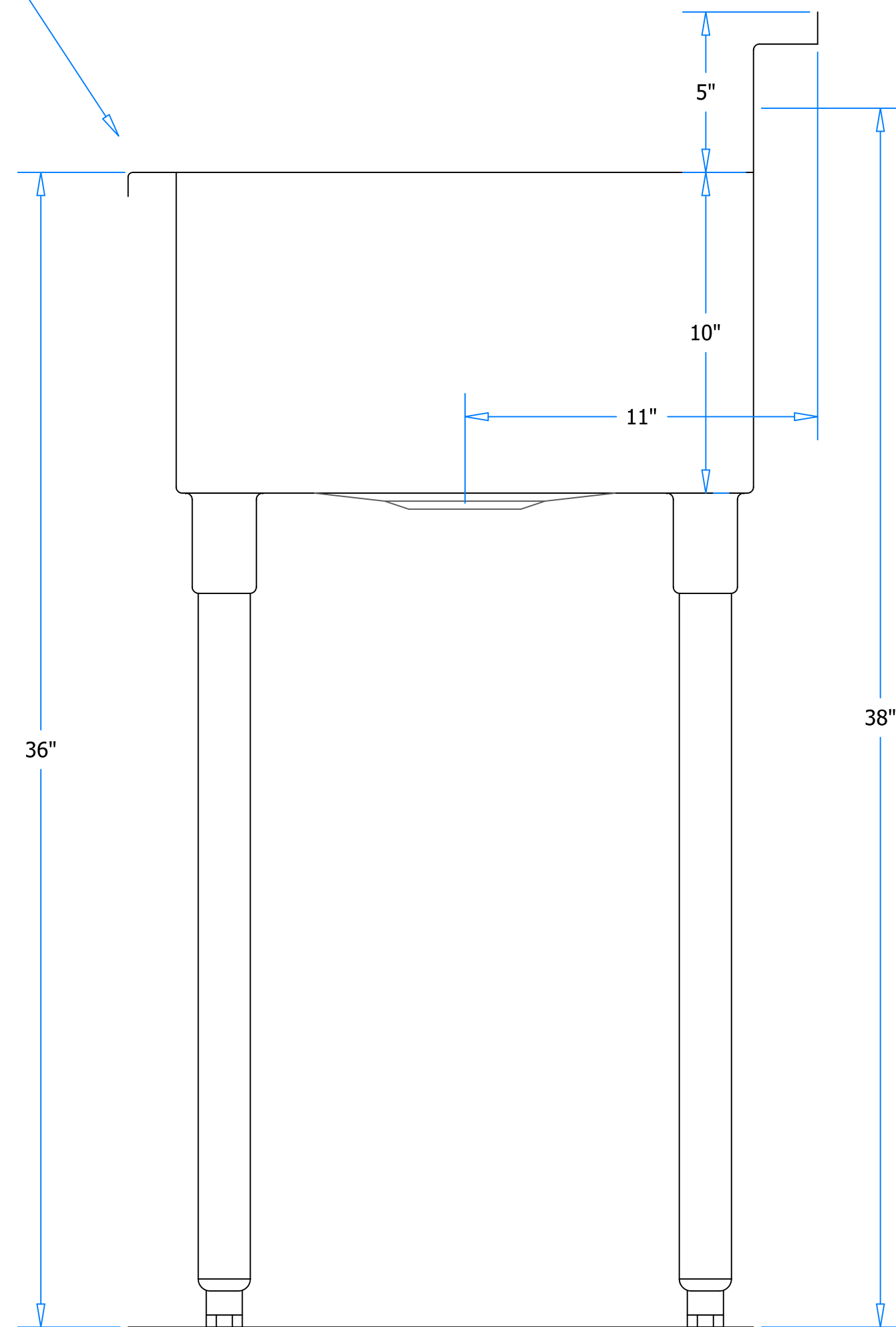
SPLASH DETAIL

SCALE 1"=1"



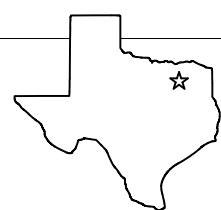
FRONT ELEVATION

SCALE 1-1/2"=1'0"



END VIEW

SCALE 3"=1'0"



MADE IN TX, USA

REV	DESCRIPTION	DATE	APPROVED

griffin
PRODUCTS INC.
1381 Crampton Street
Dallas, Texas 75207
(800)379-9709 / Fax: (903) 873-6389
www.gpsink.com

PART NUMBER
PH.198.120
PRODUCT CATEGORY / FAMILY
COMPARTMENT SINKS / PHOENIX
THE INFORMATION CONTAINED IN THIS DRAWING IS THE SOLE PROPERTY OF GRIFFIN PRODUCTS, INC. ANY REPRODUCTION IN PART OR AS A WHOLE WITHOUT THE WRITTEN PERMISSION FROM GRIFFIN PRODUCTS, INC. IS PROHIBITED.

TITLE
COVID-19 EMERGENCY DECON & HAND WASH
DESCRIPTION
PHOENIX 1-COMP 36" X 18" X 10 DP SINK FH 2 X SINGLE
MATERIAL
16GA (0.06 in) 304 STAINLESS STEEL
DRW. BY / DATE
SG 04/09/2020
APPROVED BY / DATE

ALL DIMENSIONS ARE IN X INCHES
REV. SCALE SIZE SHEET
Varies C 1 / 1